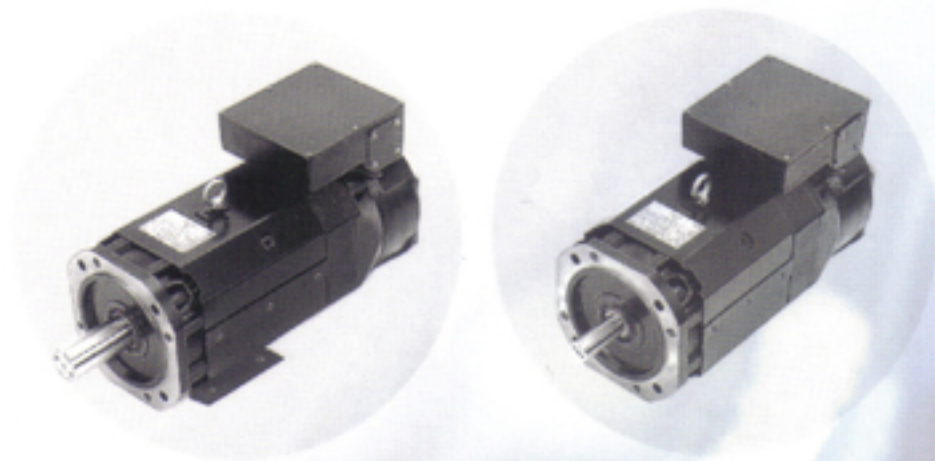
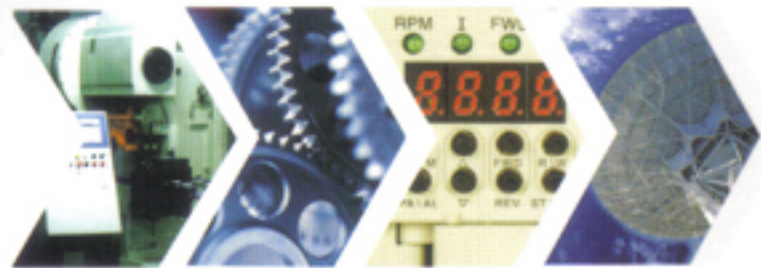


AC SERVO MOTOR & DRIVER



High Speed Application, Spindle Motor

Accuracy • Intelligent • High-Quality • Multi-Function • Easy Operation

Perfect design, the proof of quality and durability

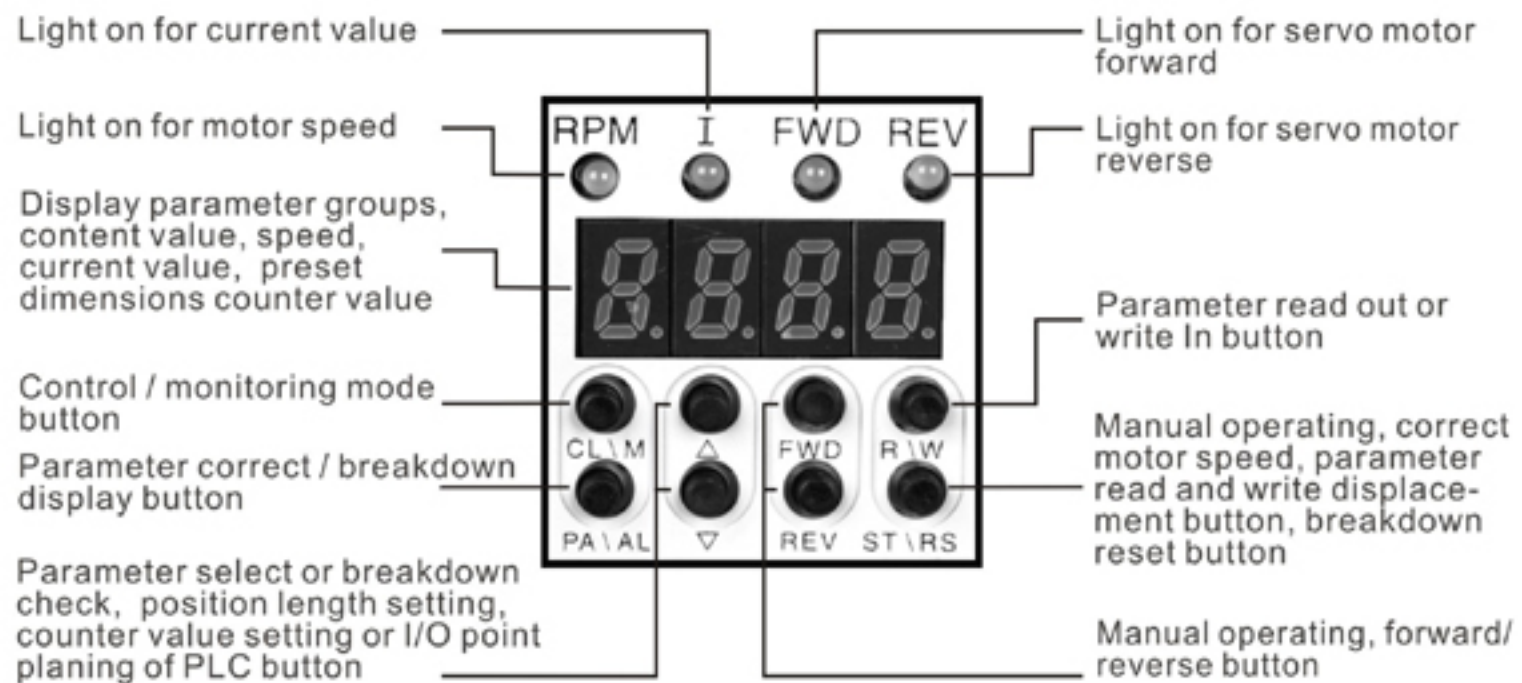
 **ARICO**
ARICO Technology Co., Ltd.

Placement position ! Define length-rated setting control, multi-function programable AC Servo Motor & Driver !

Features

- Automatic coordinate alignment feature without input a program, complete with electronic gear switching feature, allowing direct input from the control panel, with options to increase or absolute operating mode.
- Automatic point-to-point alignment operations, with options to define an S-curve acceleration and deceleration speed that is designed to prevent the impact to the machine transmission system.
- Programmable settings of position-commanded electronic gear that can be adjusted in accordance with the machine transmission requirements.
- Built-in timer, counter, flip-flop, featuring a simple PLC functionality.
- With three groups of analog input ports and three groups of analog output signal ports to support multi-functions.
- With speed-commanded soft start function, built-in Up/Down counter may setting operating function by operators.
- Equipped with proportional movement and synchronous movement functions.
- Equipped with communication interface that support human/machine interface execution, perfectly coordinated to the machine monitor display.

Multi-Function Pushbutton Type Panel



Applications

- Support human/machine monitor, the display control coordinated with operating machines.
- Preset's dimension with feeding for cutter and press.
- Control plan multi-requirement by motor Fwd./Rev. or Start/Stop functions operate.
- Receptable position locating signal from external with X · Y · Z-axis displacement control.
- Proportional/continuous accuracy rotation control.
- Circular equal, equal cutting position locating.
- Displacement locating for automatic storage truck.
- Automatic drilling position locating control.

AC SERVO MOTOR YJD SERIES DRIVER SPECIFICATIONS & OUTLINE DIMENSIONS

English Version

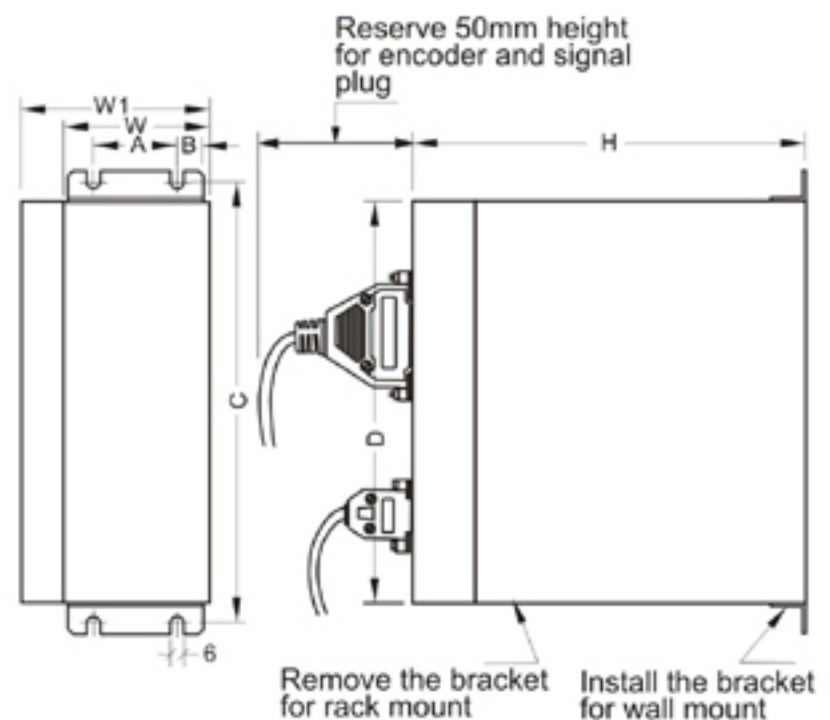
MODEL NO.	YJD	030	040	055	075	100	150	200	300								
MATCH MOTOR	KW	0.3	0.4	0.55	0.75	1.0	1.5	2.0	3.0								
Power Voltage	AC 220V ±15% 3Ø 50/60Hz																
Current Rating (A)		1.35	1.85	2.55	3.47	5.4	7.2	11	16								
Control Method	Sine PWM																
Speed Command	To alter DC ±5V ; 10V / rating speed																
Pulse Command	A/B CW / CCW PLS/DIR method, MPG handle motion control																
Feed Back Device	2500 P/R encoder with UVW commutation signals (standard product)																
Control Ratio	1:3000																
Speed Variability Ratio	Load variable 0-100% / rating speed ±0.1 %																
System Overload Ability	150% / min																
Soft Start Device	0-650 sec (option)																
Pulse Output	A B phase, C phase Index pulse output																
Regeneration	Regeneration resistor added connect with external terminals depended on load inertia																
Dissipation-Heat Method	Natural ventilation , temperature control integrated, upper 45°C the cooling fan was turned on																
Position Control	Can storage 32 groups position and length data, Supply to automatic point to point mode use																
PLC Programable I/O Control Point	16 groups I/O position terminals, that can be freely defined and controlled in execution.																
Torque Control	With options to select speed or torque mode for torque tension settings under shared or individual running mode.																
Communication Function	Standard RS485 interface port , Fully compatible with a human/machine online interface execution.																
Operating Ambient	-10 ~ 40 °C, humidity below 90% RH (non-condensing)																
Protective Function	<table border="0"> <tr> <td>Over Voltage</td> <td>Over Speed</td> </tr> <tr> <td>Over Current</td> <td>Low Voltage</td> </tr> <tr> <td>Over Temperature</td> <td>Max. Current Inhibit Control</td> </tr> <tr> <td>Over Load</td> <td>Encoder Failure</td> </tr> </table>									Over Voltage	Over Speed	Over Current	Low Voltage	Over Temperature	Max. Current Inhibit Control	Over Load	Encoder Failure
Over Voltage	Over Speed																
Over Current	Low Voltage																
Over Temperature	Max. Current Inhibit Control																
Over Load	Encoder Failure																
Storage Temperature	-20 ~60 °C, Storage temperature to high for capacitor in main circuit may be caused damage																



YJD Driver Outline Dimension

CAPACITY 300W~3KW

DRIVER MODEL	SIZE (mm)							WET Kg
	A	B	C	D	H	W	W1	
YJD 030 040 055 075	50	22	182	163	195	94		2.1
100 150	50	22	182	163	195		107	2.6
200 300	50	22	232	213	195		129	3.4





Product Features:

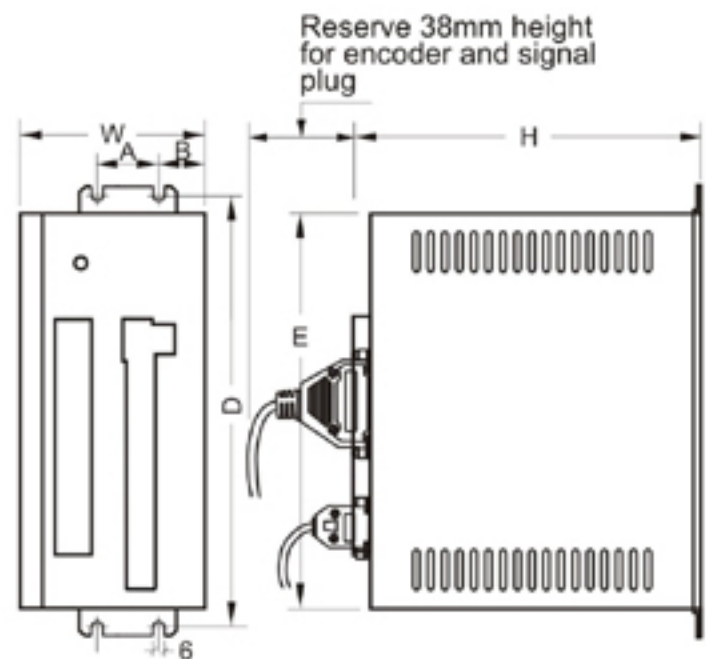
- Equipped with digital high speed DSP floating accumulator, High bandwidth and high answer back.
- With PC RS232 interface port and setting by Chinese software parameters, To be reduced operating difficult of parameters setting from panel type.
- May select three section position-commanded electronic gear from I/O signal, That could be active changed speed and position mode, suite for traditional center rework machine could be active changed from speed handle motion control.
- Multi-purpose type command input to support most of applications.

Applications for Marketing :

CNC machine, Print machine, Spring machine, Transportation mechanical, End-Seal machine, Full-Electric plastic machine, Textile machine, Bag - Make machine, Automation machine, General Products machine.

MODEL NO.	YPV	020	030	040	055	075	100	150	200	300	600
MATCH MOTOR	KW	0.2	0.3	0.4	0.55	0.75	1	1.5	2	3	6
POWER VOLTAGE	AC 220V ±15% 3Ø 50/60Hz										
CURRENT RATING	A	0.95	1.35	1.85	2.55	3.47	5.4	7.2	11	16	32
System Overload Ability	150% / min										
Discharge Transistor	Intergrated										
Protective Function	Over Current , Over Voltage, Low Voltage, Over Load, Over Temperature, Encoder Error, Over Speed										
Speed Control	Control Method	Sine PWM Current Control									
	Control Ratio	3000 : 1									
	Speed Command	To alter DC ±5V : 10V / Rating Speed, Internal with three sections to Setting speed									
	Speed Variability Ratio	Load Variable 0-100% / Rating Speed ±0.1 %									
	Acceleration and Reduction Method	S / Linear type acceleration and deceleration									
	Torque Limit	DC 0 ~10V / Max. Torque									
Position Control	Position Command	A/B CW / CCW PLS / DIR Pulse Command									
	Position Command Output Bandwidth	Differential type: 500K Transistor type: 200K									
	Position Command Resolution	Min. Displacement :20000 P/rev (Install 5000P/R encoder)									
	Position Command Locating reach to setting range	0 ~ ±10000 pulse									
	Electronic Gear Ratio	Electronic Gear Ratio A/B times A=32767B=32767 1/50 <A/B <50									
	Torque Limit	DC 0V ~10V / Max. Torque									
Torque Control	Torque Command	DC 5V ~ 10V / 3 times Rating Torque									
	Speed Limit	Internal Torque Speed limited or from external Analog Speed Limit Command limited									
Feed Back Output	1024P/R 2048P/R 2500P/R 5000P/R										
Dissipation-Heat Method	Natural ventilation										
Environment	Temperature Ambient	0 ~ 40 °C. Operating temperature -20 ~ 65 °C. Storage temperature									
	Humidity Ambient	Humidity below 90% RH (non-condensing)									
	Altitude	Sea Level below 1000M									
	Vibration	Below 5 m/s									

DRIVER MODEL	SIZE (mm)						WET
YPV	A	B	D	E	W	H	Kg
040 055 075 100	30	23	212	195	90	168	1.9
150	30	23	212	195	106	168	2.5
200 300 450	30	23	256	239	106	168	3.2
600	30	38	256	238	139	173	3.6



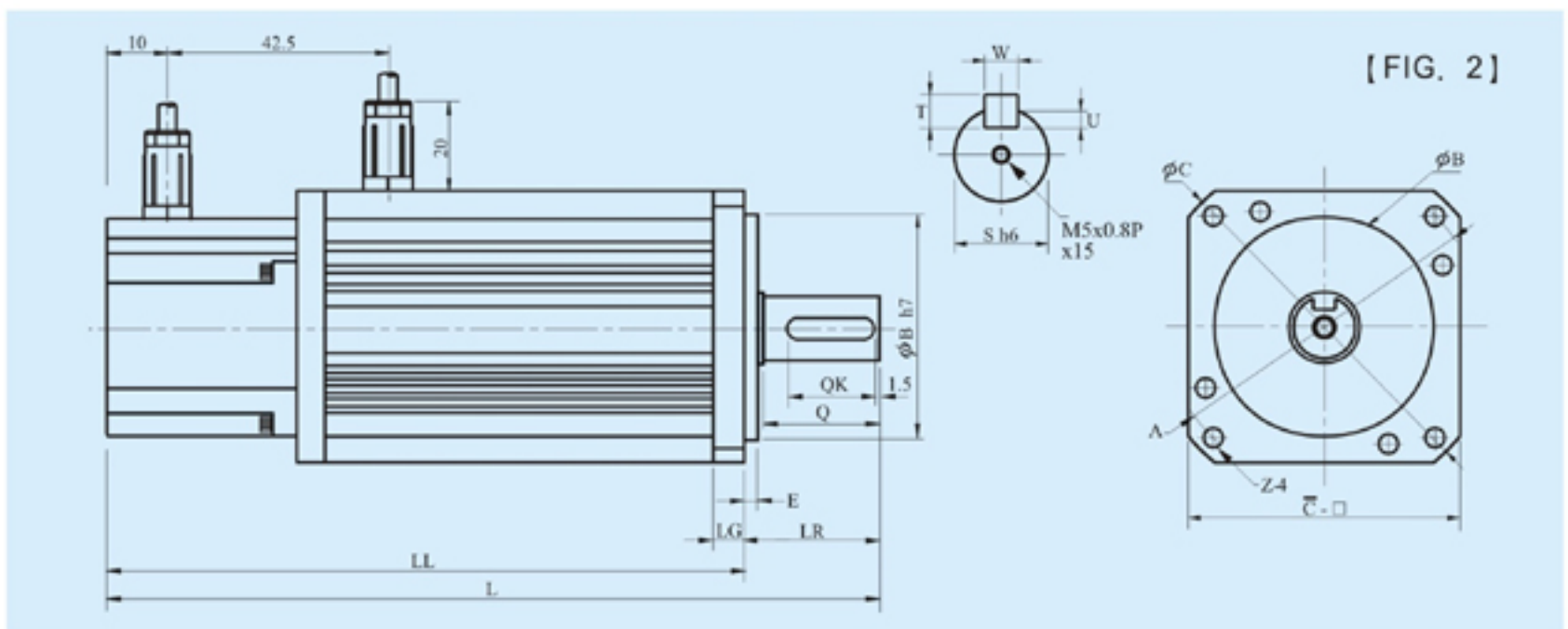
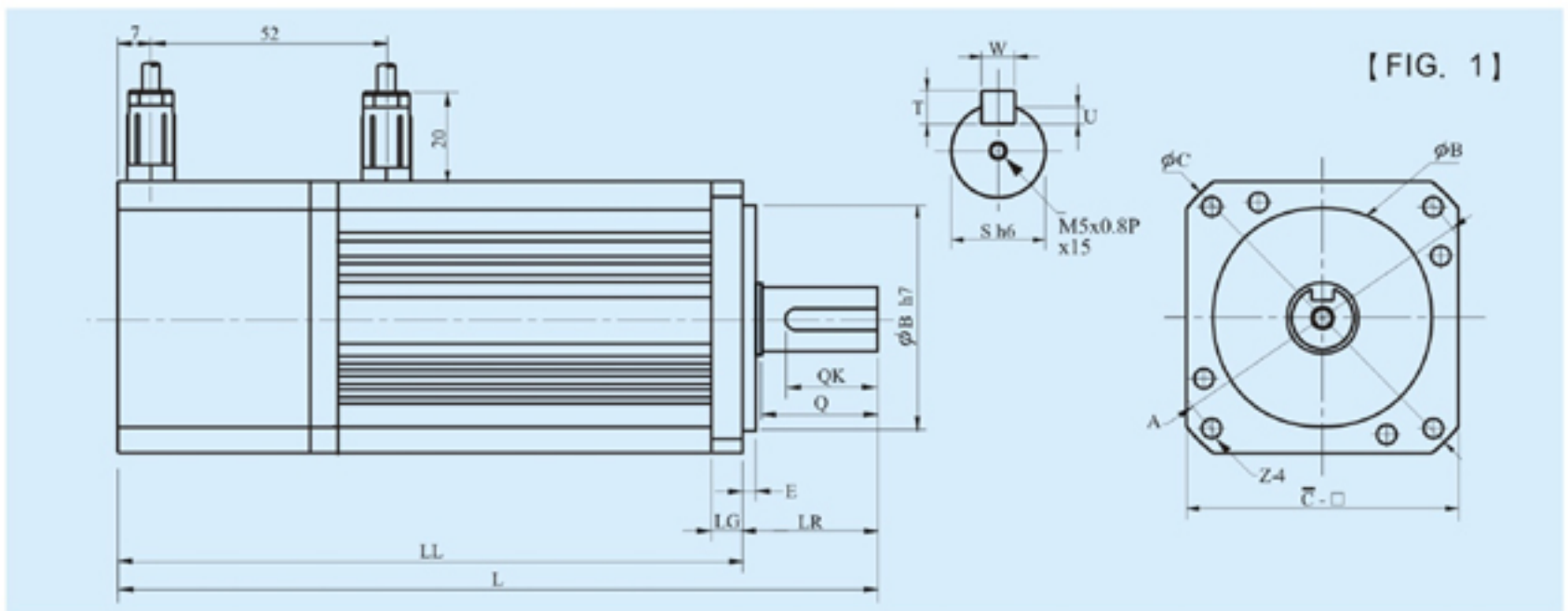
SPECIFICATIONS AND EXTERNAL DIMENSIONS OF YBL 6S/7S SERIES SERVO MOTOR

English Version

- **Rated Loads** Continuous Load (S1)
- **Insulation Class** Class F
- **Insulation Voltage** AC 1500v rms / minute
- **Insulation Resistance** Above DC 500V 10 ohm
- **Protection** IP55, close self-cooling
- **Operating Ambient Environment** 0°C-40°C 90% RH non-condensing
- **Storage Ambient Environment** -20°C-60°C 90% RH non-condensing
- **Oil Seal** JIS S-Type Oil Seal (optionl)
- **Vibration Class** Below 1.8mm / s (TEC34-12)
- **Excite Method** Permanent Magnet
- **Mounting Method** Flange Mount
- **Encoder** 2500 PPR with UVW Commutation Signals

SM Model		YBL6S -148	YBL7S -76	YBL7S -92
Rated Power	Pc (w)	400	400	400
Rated Speed	N (rpm)	3000	3000	2000
Rated Torque	Tcn (N · m)	1.3	1.3	1.9
Rated Current	Ic (Arms)	1.85	2.6	2.6
Instantaneous Max. Torque	Tp (N · m)	3.8	3.8	5.3
Instantaneous Max. Current	Ip (Arms)	5.6	7.8	7.8
Rotor Inertia	Jm(kg · cm ²)	0.318	0.479	0.566
Brake Rotor Inertia	Jm(kg · cm ²)	0.378	0.569	0.656

1N.m=10.2Kg · cm



(w)	FRAME NO.	NO BRAKE		W/BRAKE DC24V		LG	E	LR	A	C	C-□	B	Q	QK	S	T	U	W	Z	NO BRAKE		W/BRAKE		FIG. NO
		L	LL	L	LL															WEIGHT(KG)	WEIGHT(KG)			
400	YBL6S - 148	155	125	197.5	170	8	3	30	70	81	60	50	25	20	14	5	3	5	4.5	1.8	2.4		FIG.1	
400	YBL7S - 76	159.5	129.5	193.5	163.5	8.5	3	30	90	103	78	70	25	20.2	14	5	3	5	5.5	2.4	3		FIG.2	
400	YBL7S - 92	175.5	145.5	209.5	179.5	8.5	3	30	90	103	78	70	25	20.2	14	5	3	5	5.5	2.8	3.4		FIG.2	

Tolerance: 1. Output shaft diameter, S Ø14~Ø16 is h6.

2. Guide flange diameter B is h7.

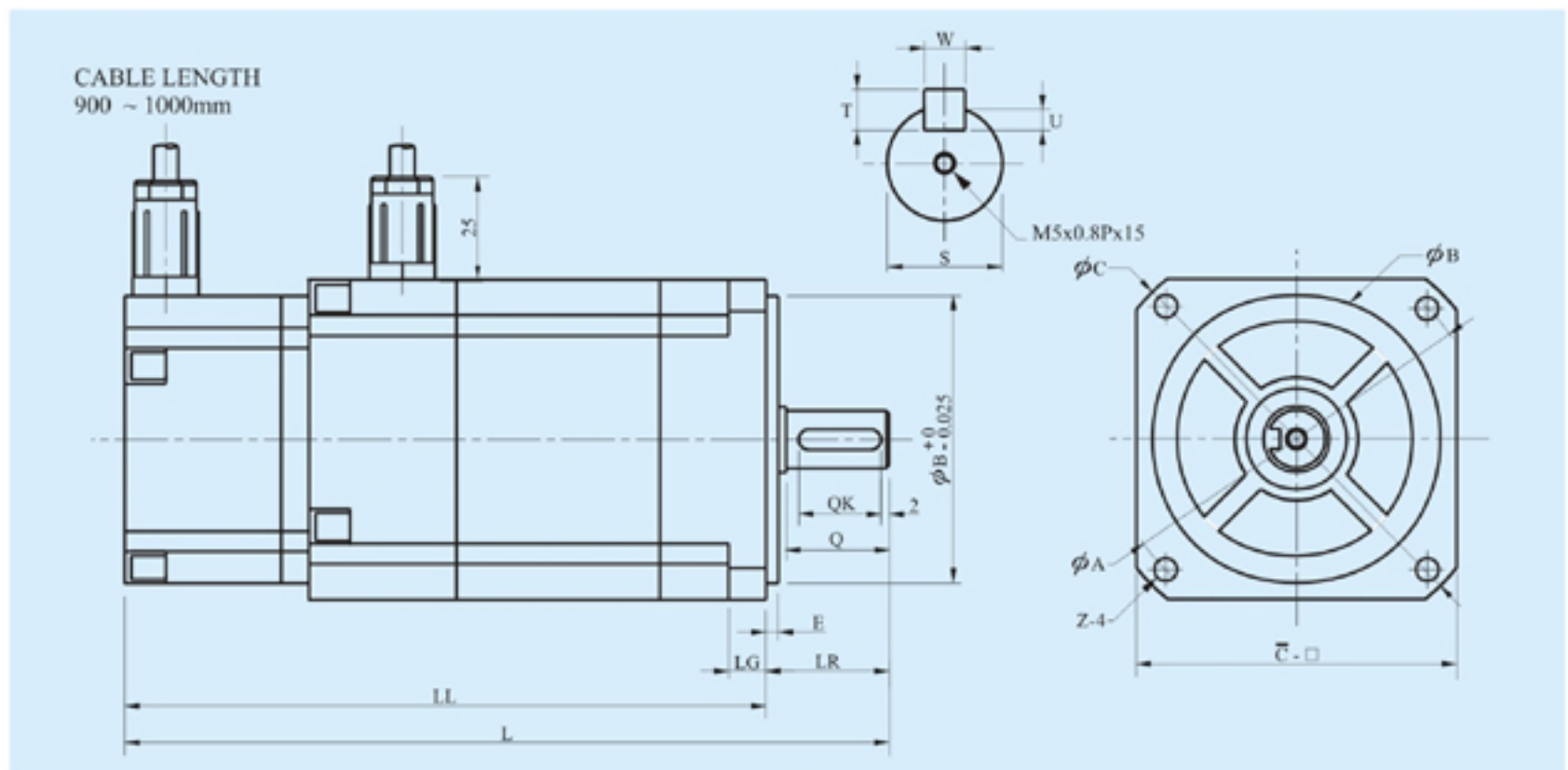
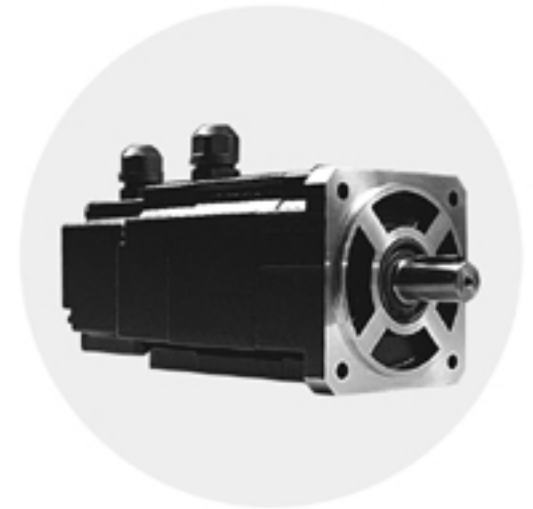
Unit : All dimensions in mm

SPECIFICATIONS AND EXTERNAL DIMENSIONS OF YBL 9D SERIES SERVO MOTOR

English Version

SM Model	YBL9D-112	YBL9D-130	YBL9D-160	YBL9D-130L	YBL9D-160L
Rated Power P_c (w)	550	750	1000	750	1000
Rated Speed N (rpm)	3000	3000	3000	2000	2000
Rated Torque T_{cn} (N·m)	1.75	2.4	3.18	3.68	4.8
Rated Current I_c (Arms)	2.55	3.47	4.8	3.5	4.8
Instantaneous Max. Torque T_p (N·m)	5.3	7.1	10	11	14.4
Instantaneous Max. Current I_p (Arms)	7.7	10.5	16	10.5	16
Rotor Inertia J_m (kg·cm ²)	1.42	1.61	1.92	1.62	1.93
Brake Rotor Inertia J_m (kg·cm ²)	1.58	1.77	2.08	1.78	2.09
Operating Ambient Environment	0 ~ +40 °C Below 90% RH (non-condensation)				
Storage Ambient Environment	-20 ~ +60 °C Below 90% RH (non-condensation)				
Protective Function	With 135 °C ±5% Thermostatic Switch				

1N.m=10.2Kg·cm



(w)	FRAME NO.	NO BRAKE		W/ BRAKE DC24V															NO BRAKE		W/ BRAKE	
		L	LL	L	LL	LGE	LR	B	C	A	C̄	Q	QK	S	W	U	T	Z	WEIGHT (KG)			
550	YBL9D-112	228	193	283	248	12	3	35	80	118	100	90	30	25	16	5	3	5	6.6	4.0	4.8	
750	YBL9D-130	237	202	292	257	12	3	35	80	118	100	90	30	25	16	5	3	5	6.6	5.1	5.9	
1000	YBL9D-160	252	217	307	272	12	3	35	80	118	100	90	30	25	16	5	3	5	6.6	5.8	6.6	

Tolerance: 1. Output shaft diameter, S $\varnothing 22 \sim \varnothing 25$ is h6.

2. Guide flange diameter B is h7.

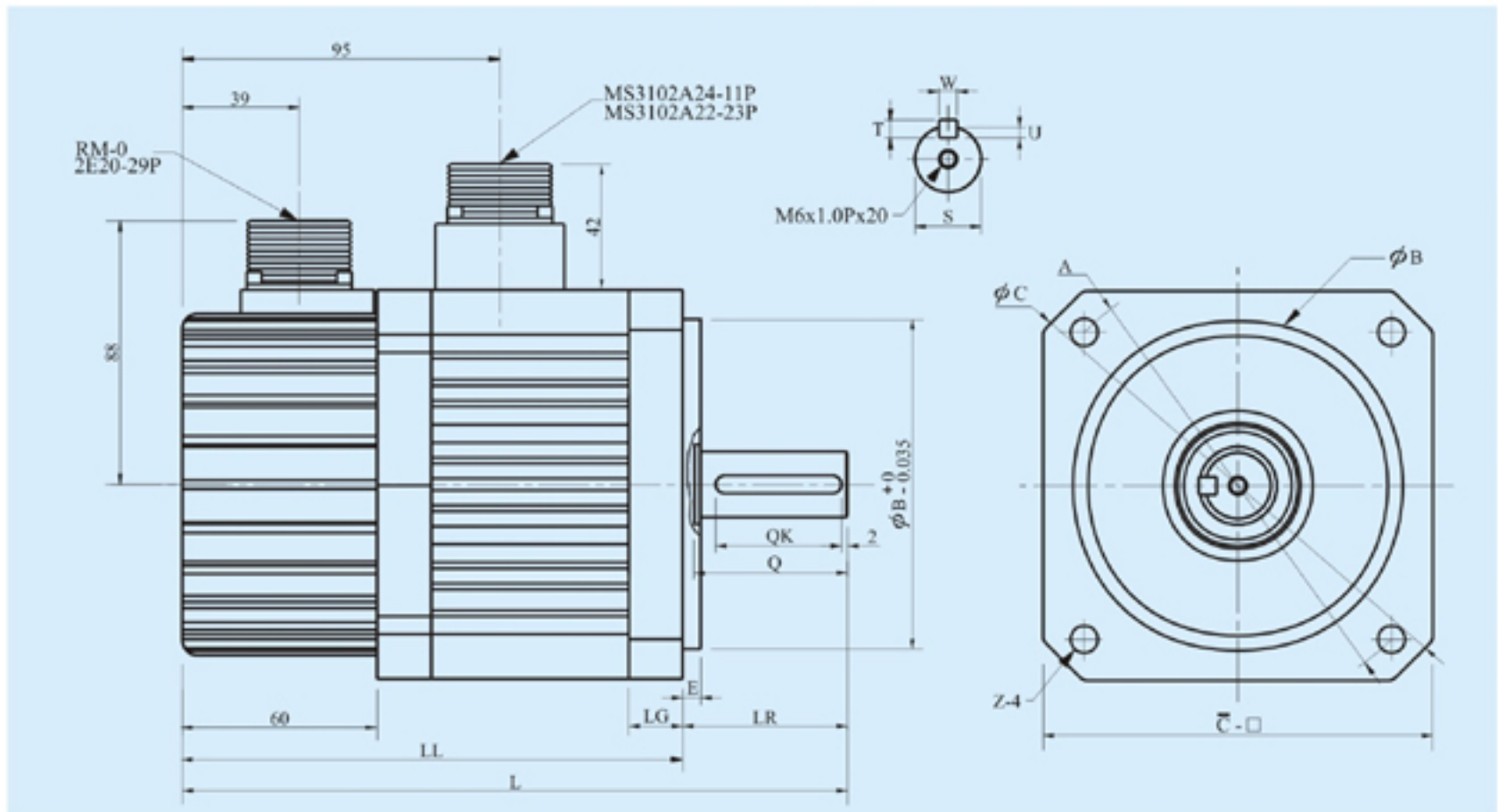
Unit : All dimensions in mm

SPECIFICATIONS AND EXTERNAL DIMENSIONS OF YBL 13S SERIES SERVO MOTOR

English Version

SM Model	YBL13S-75	YBL13S-95	YBL13S-115	YBL13S-155
Rated Power P_c (Kw)	1	1.5	2	3
Rated Speed N (rpm)	2000			
Rated Torque T_{cn} (N·m)	4.8	7.45	9.8	14.3
Rated Current I_c (Arms)	4.8	7.2	9.6	14
Instantaneous Max. Torque T_p (N·m)	14.4	21.17	28.5	42.9
Instantaneous Max. Current I_p (Arms)	16.5	25.5	32.4	42
Rotor Inertia J_m (kg·cm ²)	7.82	10.62	13.43	19.04
Brake Rotor Inertia J_m (kg·cm ²)	8.69	11.49	14.3	19.91
Operating Ambient Environment	0 ~ +40 °C Below 90% RH (non-condensation)			
Storage Ambient Environment	-20 ~ +60 °C Below 90% RH (non-condensation)			
Protective Function	With 135 °C ±5% Thermostatic Switch			

1N.m=10.2Kg·cm



(Kw)	FRAME NO.	NO BRAKE		W / BRAKE DC24V		L	LL	LG	EL	LR	B	C	A	C̄	Q	QK	S	W	U	T	Z	WEIGHT (KG)	
		L	LL	L	LL																	NO BRAKE	W / BRAKE
1	YBL13S-75	222	167	283	228	18	6	55	110	165	145	130	50	42	22	6	3.5	6	9	6.8	9.6		
1.5	YBL13S-95	242	187	303	248	18	6	55	110	165	145	130	50	42	22	6	3.5	6	9	8.4	11.2		
2	YBL13S-115	262	207	323	268	18	6	55	110	165	145	130	50	42	24	8	4	7	9	10.0	12.8		
3	YBL13S-155	302	247	363	308	18	6	55	110	165	145	130	50	42	24	8	4	7	9	12.9	15.7		

Tolerance: 1. Output shaft diameter, S $\varnothing 22 \sim \varnothing 25$ is h6.

2. Guide flange diameter B is h7.

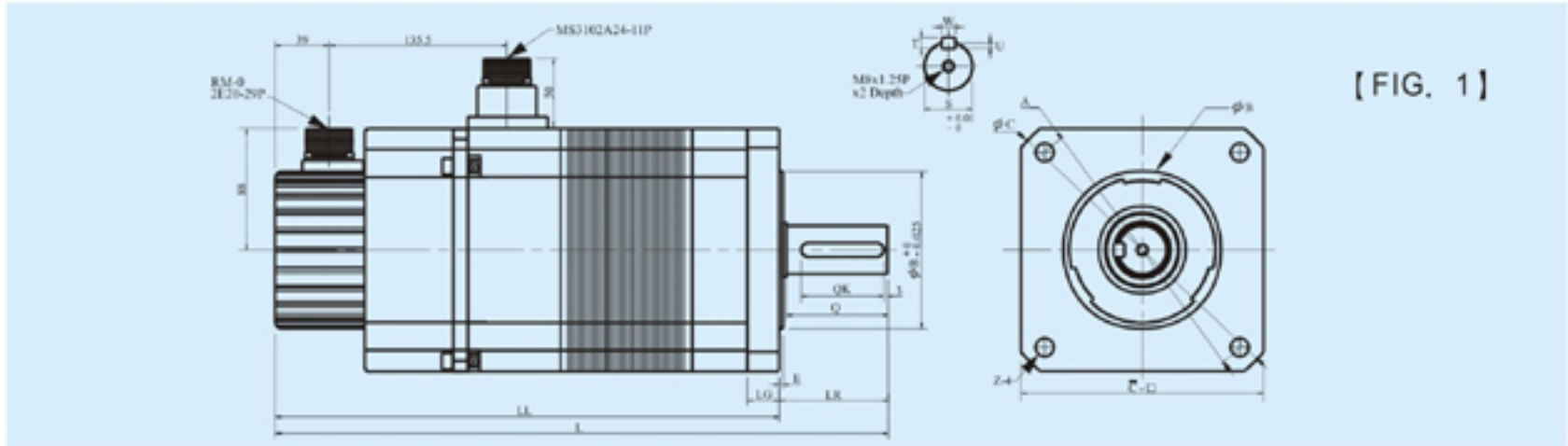
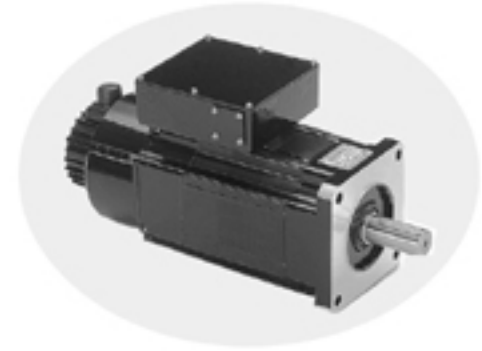
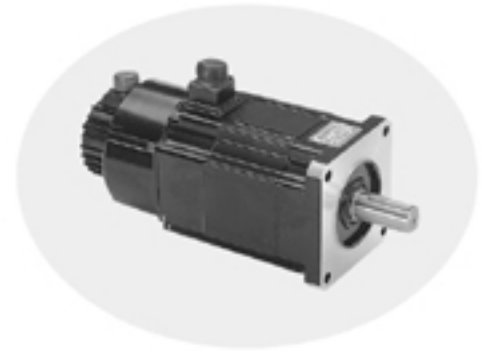
Unit : All dimensions in mm

SPECIFICATIONS AND EXTERNAL DIMENSIONS OF YBL 17B SERIES SERVO MOTOR

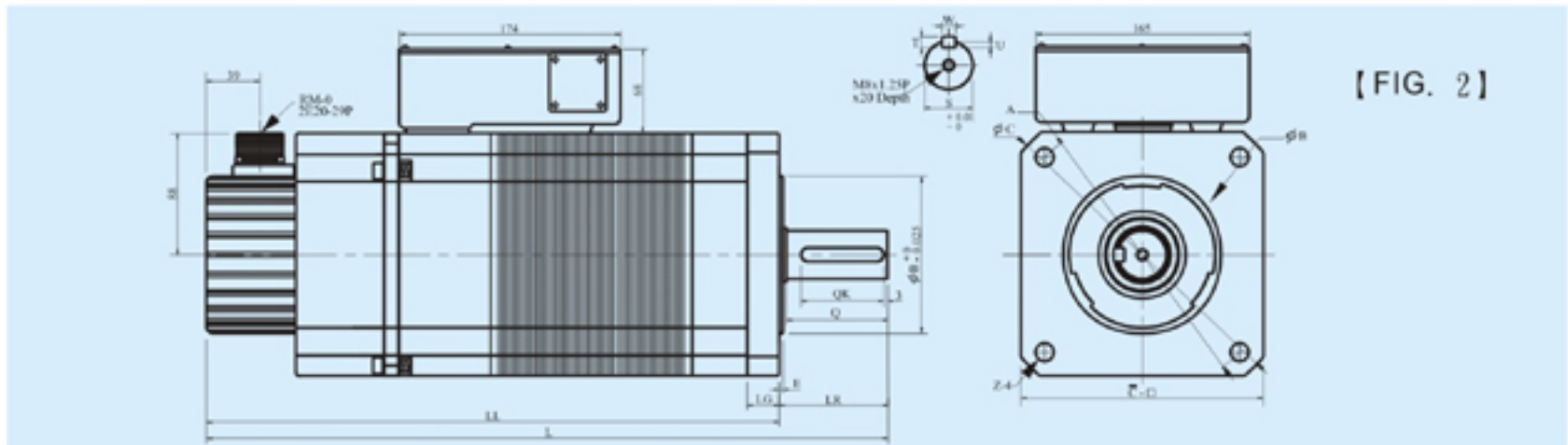
English Version

SM Model	YBL17B-100	YBL17B-200	YBL17B-300	YBL17B-300T	YBL17B-400	YBL17B-500
Rated Power P_c (Kw)	3	4.5	6	7.5	8.6	11
Rated Speed N (rpm)	2000			1500		
Rated Torque T_{cn} (N · m)	14.5	23	29.4	49	54	70
Rated Current I_c (Arms)	16	23.2	31.7	39.3	43.8	56
Instantaneous Max. Torque T_p (N · m)	42.9	68.8	91.7	123	135	175
Instantaneous Max. Current I_p (Arms)	45	65	88.8	111	122	156
Rotor Inertia J_m (kg · cm ²)	46.4	84.5	123	125	161	199
Brake Rotor Inertia J_m (kg · cm ²)	59.4	97.5	136	138	174	212
Operating Ambient Environment	0 ~ +40 °C Below 90% RH (non-condensation)					
Storage Ambient Environment	-20 ~ +60 °C Below 90% RH (non-condensation)					
Protective Function	With 135 °C ±5% Thermostatic Switch					

1N.m=10.2Kg · cm



[FIG. 1]



[FIG. 2]

(Kw)	FRAME NO.	NO BRAKE		W/ BRAKE DC24V		NO BRAKE W/ BRAKE														WEIGHT (KG)	FIG	
		L	LL	L	LL	LG	EL	R	B	C	A	C-bar	Q	QK	S	W	U	T	Z			
3	YBL17B-100	334	255	420	341	23	3	79	114.3	230	200	176	76	60	35	10	4	8	13	18	23	FIG.1
4.5	YBL17B-200	384	305	470	391	23	3	79	114.3	230	200	176	76	60	35	10	4	8	13	28	33.5	FIG.1
6	YBL17B-300	434	355	520	441	23	3	79	114.3	230	200	176	76	60	35	10	4	8	13	36	42	FIG.2
7.5	YBL17B-300T	434	355	520	441	23	3	79	114.3	230	200	176	76	60	35	10	4	8	13	36.3	43	FIG.2
8.6	YBL17B-400	484	405	570	491	23	3	79	114.3	230	200	176	76	60	35	10	4	8	13	47	54	FIG.2
11	YBL17B-500	534	455	620	541	23	3	79	114.3	230	200	176	76	60	35	10	4	8	13	57	65	FIG.2

Tolerance: 1. Output shaft diameter, S $\phi 35$ is h6.

2. Guide flange diameter B is h7.

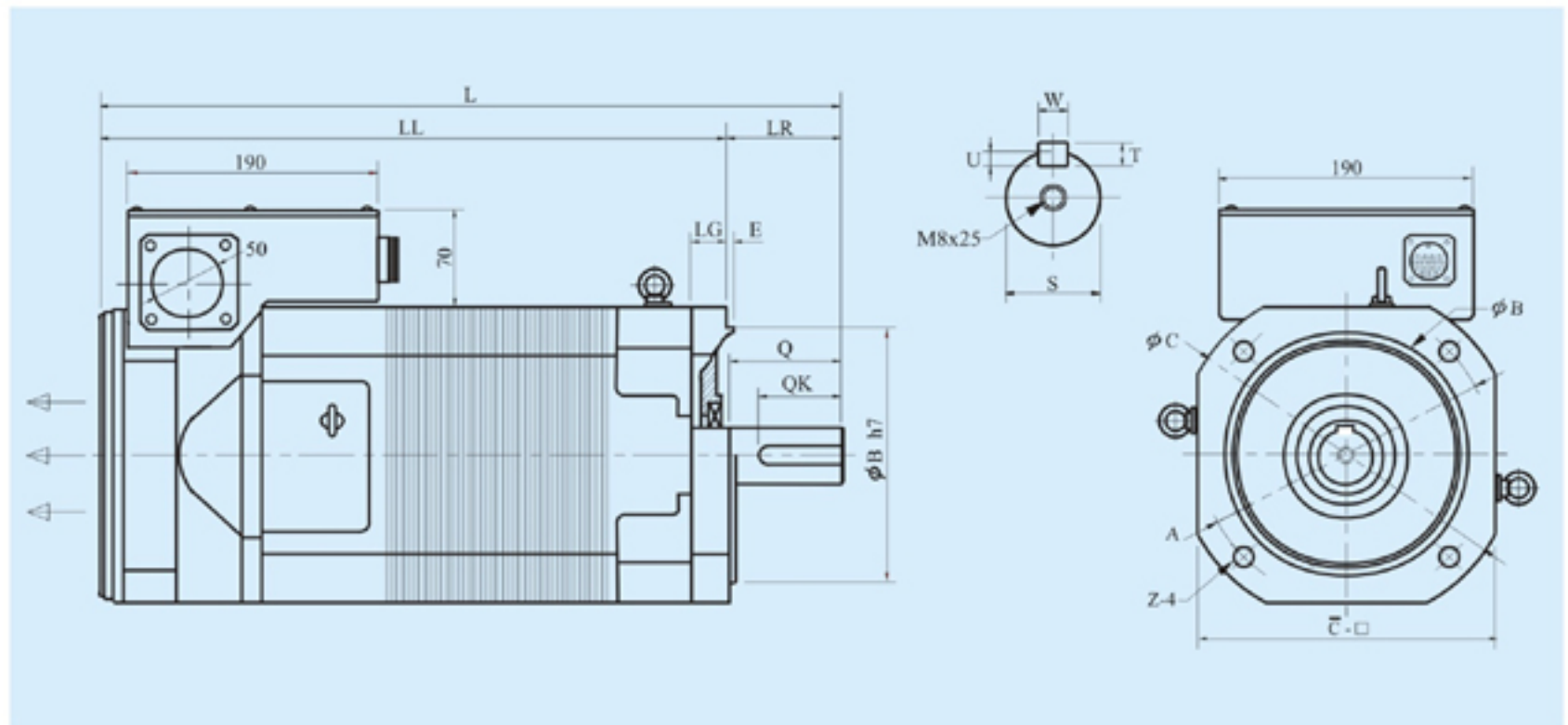
Unit : All dimensions in mm

SPECIFICATIONS AND EXTERNAL DIMENSIONS OF YBL 210 SERIES SERVO MOTOR

English Version

SM Model	YBL210-400	YBL210-600		
Rated Power P_c (Kw)	11	15		
Rated Speed N (rpm)	1500			
Rated Torque T_{cn} (N · m)	70	95.5		
Rated Current I_c (Arms)	58	79.5		
Instantaneous Max. Torque T_p (N · m)	175	238.7		
Instantaneous Max. Current I_p (Arms)	145	198		
Rotor Inertia J_m (kg · cm ²)	330	410		
Operating Ambient Environment	0° ~ +40° C Below 90% RH (non-condensation)			
Storage Ambient Environment	-20° ~ +60° C Below 90% RH (non-condensation)			
Protective Function	With 135° C ±5% Thermostatic Switch			

1N.m=10.2Kg · cm



(Kw)	FRAME NO.	NO BRAKE		W/ BRAKE DC24V		LG	E	LR	B	C	A	C̄	Q	QK	S	W	U	T	Z	WEIGHT (KG)	
		L	LL	L	LL															NO BRAKE	W/ BRAKE
11	YBL210-400	615	505	-	-	25	5	110	180	250	215	210	110	90	42	12	5	8	14.5	80	-
15	YBL210-600	715	605	-	-	25	5	110	180	250	215	210	110	90	48	14	5.5	9	14.5	105	-

Tolerance: 1. Output shaft diameter, S Ø42 is h6.
2. Guide flange diameter B is h7.

Unit : All dimensions in mm

SPINDLE MOTOR SPECIFICATIONS

English Version

With PE model YSPM...		YSPM 2.2V5-2	YSPM 2.2V5B-2	YSPM 2.2V5H-2	YSPM 3.7V5-2	YSPM 3.7V5B-2	YSPM 3.7V5H-2	
Without PE model		YSPM 2.2M5-2	YSPM 2.2M5B-2	YSPM 2.2M5H-2	YSPM 3.7M5-2	YSPM 3.7M5B-2	YSPM 3.7M5H-2	
Output	Continuous Rating	Power(KW)	1.5 KW			2.2 KW		
		Torque(N.m)	7 Nm			14 Nm		
	50% Rating	Power(KW)	2.2 KW			3.7 KW		
		Torque(N.m)	14 Nm			23.5 Nm		
Rotor Inertia (Kg.m ²)		0.0085			0.0098			
Base Speed (r/min)		1500 RPM			1500 RPM			
Base Voltage		150 V / ac						
Max. Speed (r/min)		8000 RPM	10000 RPM	12000 RPM	8000 RPM	10000 RPM	12000 RPM	
Installment Type		Foot-mounted (IMB3, IMV5)			Flange-mounted (IMB5, IMV1)			
Cooling Type		Direct Air (From rotating shaft below to non-rotating shaft)						
Cooling Fan		1 ∅ · 220 Vac · 65W						
Noise		< 70 db (A)						
Vibration		V5						
Pulse Encoder		Electromagnetic type Pulse Encoder (Only setup in YSPM Motor with PE model)						
Weight (Kg)		34			43			
Output Character Curve		H	I	J	K	L	M	



With PE model YSPM...		YSPM 7.5V5-2	YSPM 7.5V5B-2	YSPM 7.5V5H-2	YSPM 11V5-2	YSPM 11V5B-2	YSPM 11V5H-2	
Without PE model		YSPM 7.5M5-2	YSPM 7.5M5B-2	YSPM 7.5M5H-2	YSPM 11M5-2	YSPM 11M5B-2	YSPM 11M5H-2	
Output	Continuous Rating	Power(KW)	5.5 KW			7.5 KW		
		Torque(N.m)	35 NM			47.7 NM		
	50% Rating	Power(KW)	7.5 KW			11 KW		
		Torque(N.m)	47.7 NM			70 NM		
Rotor Inertia (Kg.m ²)		0.033			0.041			
Base Speed (r/min)		1500 RPM			1500 RPM			
Base Voltage		150 V / ac						
Max. Speed (r/min)		8000 RPM	10000 RPM	12000 RPM	8000 RPM	10000 RPM	12000 RPM	
Installment Type		Foot-mounted (IMB3, IMV5)			Flange-mounted (IMB5, IMV1)			
Cooling Type		Direct Air (From rotating shaft below to non-rotating shaft)						
Cooling Fan		1 ∅ · 220 Vac · 65W						
Noise		< 70 db (A)						
Vibration		V5						
Pulse Encoder		Electromagnetic type Pulse Encoder (Only setup in YSPM Motor with PE model)						
Weight (Kg)		77			84			
Output Character Curve		A	B	C	D	E	F	

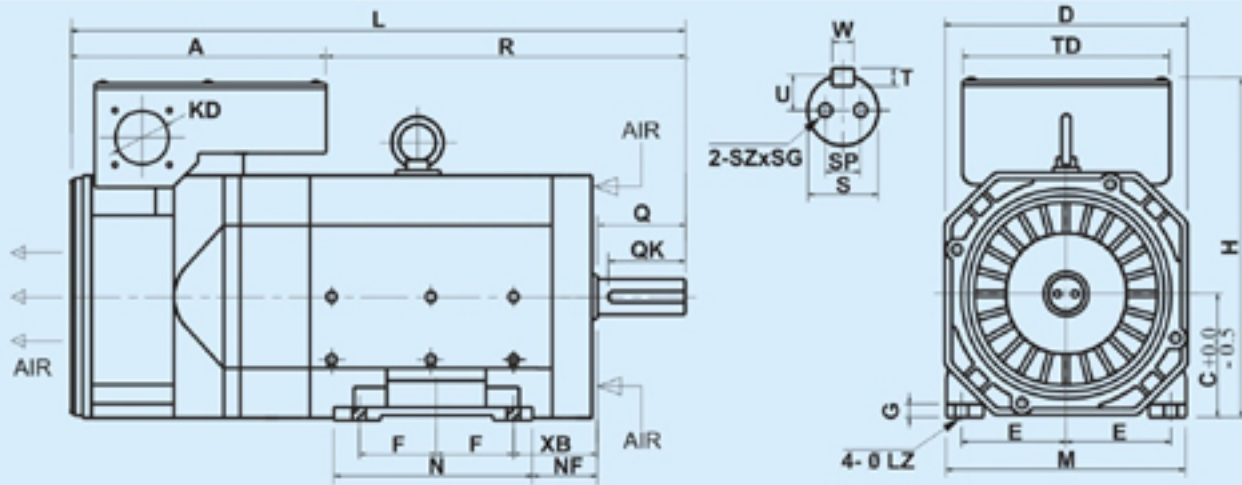
GENERAL SPECIFICATIONS

Items	Description	
Insulation and Poles	Class F · Pole 4	
Connection method with load	Coupling and Belt combine	
Protection Class	IP44, close	
Basic Specification	IEC34-1	
Environment	Operating Occasion	Indoor, Altitude, below 1000m
	Temperature Ambient	-10 ~ +40 °C
	Humidity Ambient	0 ~ 90% RH

(PS.1) Within □ should fill into A or G (A=Foot-mounted, G=Flange-mounted)

(PS.2) Depend on by Inverter Driver Input Voltage is 220V or 380V 60/50Hz,
Then with Option to the motor voltage specification to be matched.

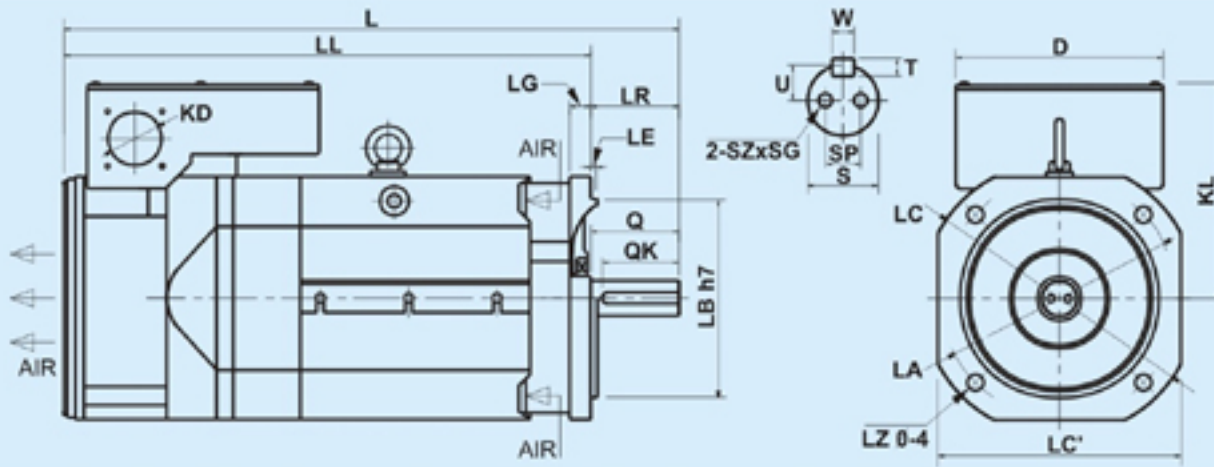
Foot-Mounted Dimension



*Rated Power (KW)	Model	A	C	D	E	F	G	H	KD	L	M	N	NF	R	XB	LZ	Q	QK	S	T	U	W	SP	SZ	SG	Weight (Kg)
5.5 / 7.5 / 7000 RPM	YSPM 7.5V5-A	337	112	225	95	70	12	305	50	557	225	180	56	220	70	14.5	80	70	32	8	5	10	16	M6	12	77
5.5 / 7.5 / 8000 RPM	YSPM 7.5V5B-A																									
5.5 / 7.5 / 10000 RPM	YSPM 7.5V5H-A																									
5.5 / 7.5 / 7000 RPM	YSPM 7.5M5-A																									
5.5 / 7.5 / 8000 RPM	YSPM 7.5M5B-A																									
5.5 / 7.5 / 10000 RPM	YSPM 7.5M5H-A	358	112	225	95	89	12	305	50	627	225	212	56	269	70	14.5	110	90	48	9	5.5	14	31.5	M8	16	84
7.5 / 11 / 7000 RPM	YSPM 11V5-A																									
7.5 / 11 / 8000 RPM	YSPM 11V5B-A																									
7.5 / 11 / 10000 RPM	YSPM 11V5H-A																									
7.5 / 11 / 7000 RPM	YSPM 11M5-A																									
7.5 / 11 / 8000 RPM	YSPM 11M5B-A																									
7.5 / 11 / 10000 RPM	YSPM 11M5H-A																									

* Cont./50%ED/Speed

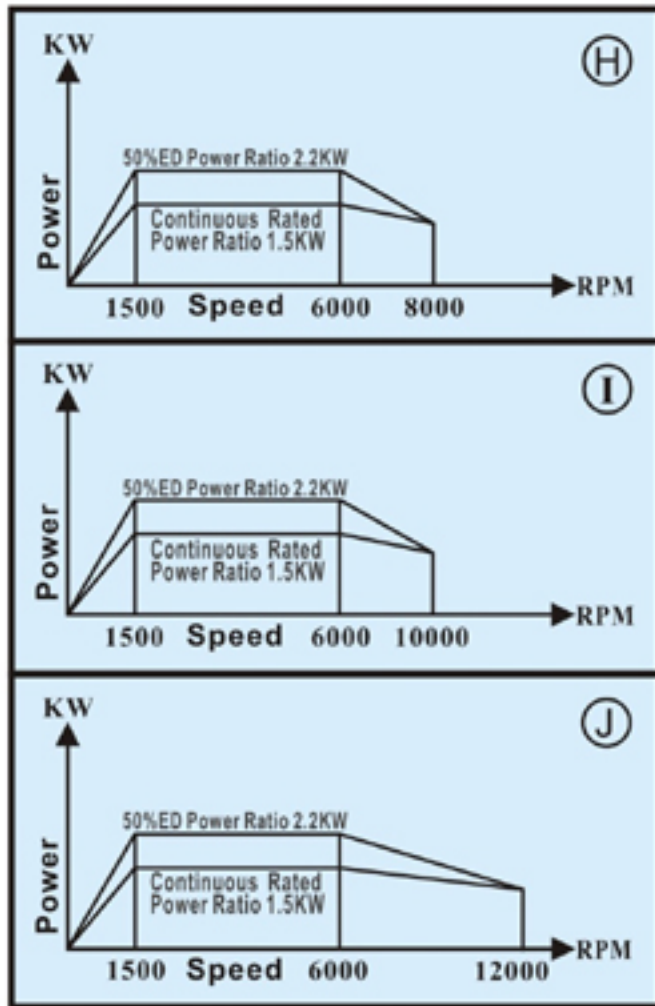
Flange-Mounted Dimension



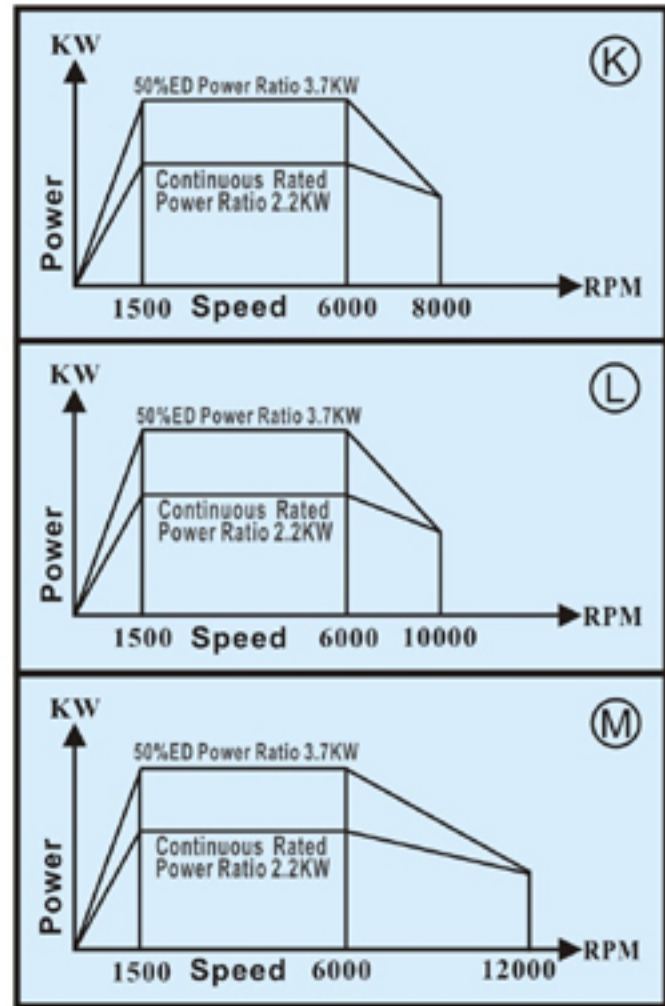
*Rated Power (KW)	Model	D	L	LL	LR	KD	KL	LA	LB	LC	LC'	LE	LG	LZ	Q	QK	S	T	U	W	SP	SZ	SG	Weight (Kg)
1.5 / 2.2 / 7000 RPM	YSPM 2.2V5-G	150	458	408	50	32	194	185	150	220	185	5	14	11	50	-	22	6	3.5	6	13	M5	10	34
1.5 / 2.2 / 8000 RPM	YSPM 2.2V5B-G																							
1.5 / 2.2 / 10000 RPM	YSPM 2.2V5H-G																							
1.5 / 2.2 / 7000 RPM	YSPM 2.2M5-G																							
1.5 / 2.2 / 8000 RPM	YSPM 2.2M5B-G																							
1.5 / 2.2 / 10000 RPM	YSPM 2.2M5H-G	150	498	438	50	32	194	185	150	220	185	5	14	11	60	-	28	7	4	8	16	M6	12	43
2.2 / 3.7 / 7000 RPM	YSPM 3.7V5-G																							
2.2 / 3.7 / 8000 RPM	YSPM 3.7V5B-G																							
2.2 / 3.7 / 10000 RPM	YSPM 3.7V5H-G																							
2.2 / 3.7 / 7000 RPM	YSPM 3.7M5-G																							
2.2 / 3.7 / 8000 RPM	YSPM 3.7M5B-G																							
2.2 / 3.7 / 10000 RPM	YSPM 3.7M5H-G	188	557	477	80	50	194	215	180	250	225	5	19	14.5	80	70	32	8	5	10	16	M6	12	77
5.5 / 7.5 / 7000 RPM	YSPM 7.5V5-G																							
5.5 / 7.5 / 8000 RPM	YSPM 7.5V5B-G																							
5.5 / 7.5 / 10000 RPM	YSPM 7.5V5H-G																							
5.5 / 7.5 / 7000 RPM	YSPM 7.5M5-G																							
5.5 / 7.5 / 8000 RPM	YSPM 7.5M5B-G																							
5.5 / 7.5 / 10000 RPM	YSPM 7.5M5H-G	188	627	517	110	50	194	215	180	250	225	5	19	14.5	110	90	48	9	5.5	14	31.5	M8	16	84
7.5 / 11 / 7000 RPM	YSPM 11V5-G																							
7.5 / 11 / 8000 RPM	YSPM 11V5B-G																							
7.5 / 11 / 10000 RPM	YSPM 11V5H-G																							
7.5 / 11 / 7000 RPM	YSPM 11M5-G																							
7.5 / 11 / 8000 RPM	YSPM 11M5B-G																							
7.5 / 11 / 10000 RPM	YSPM 11M5H-G																							

* Cont./50% ED /Speed

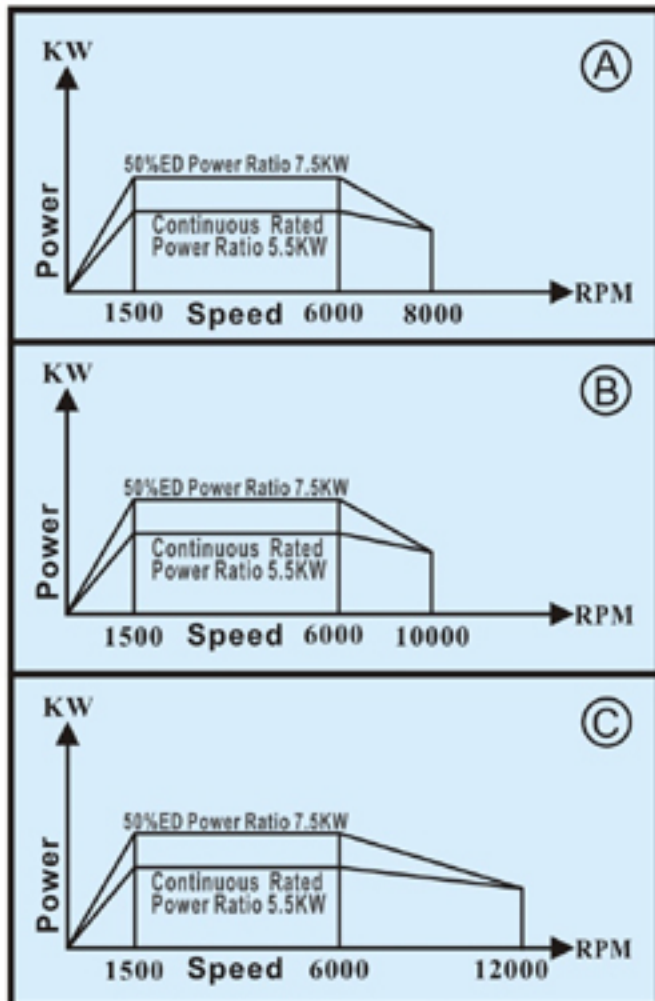
1.5 / 2.2 KW



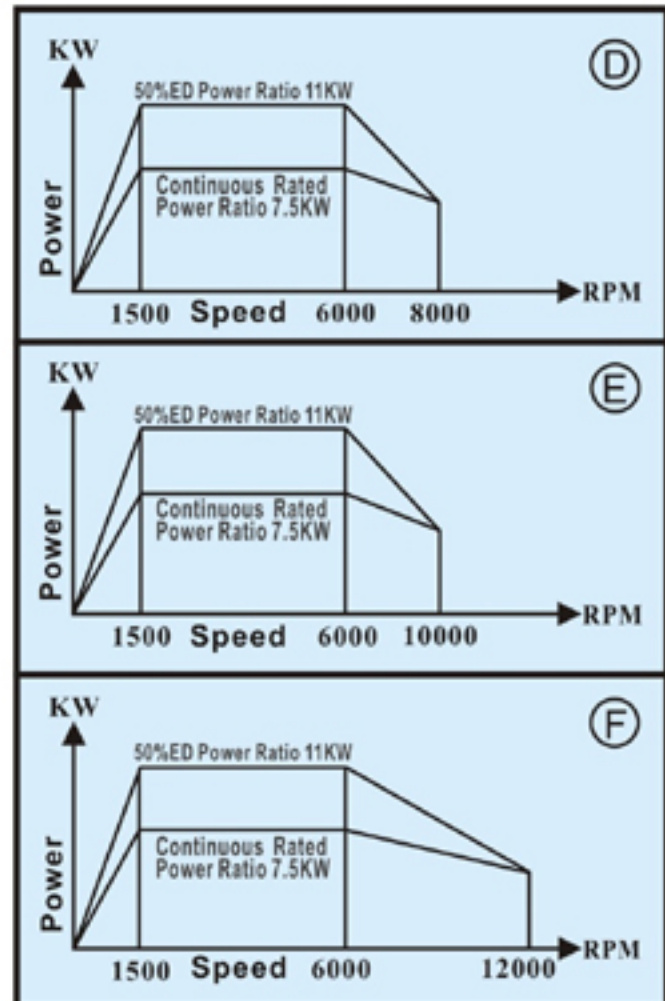
2.2 / 3.7 KW



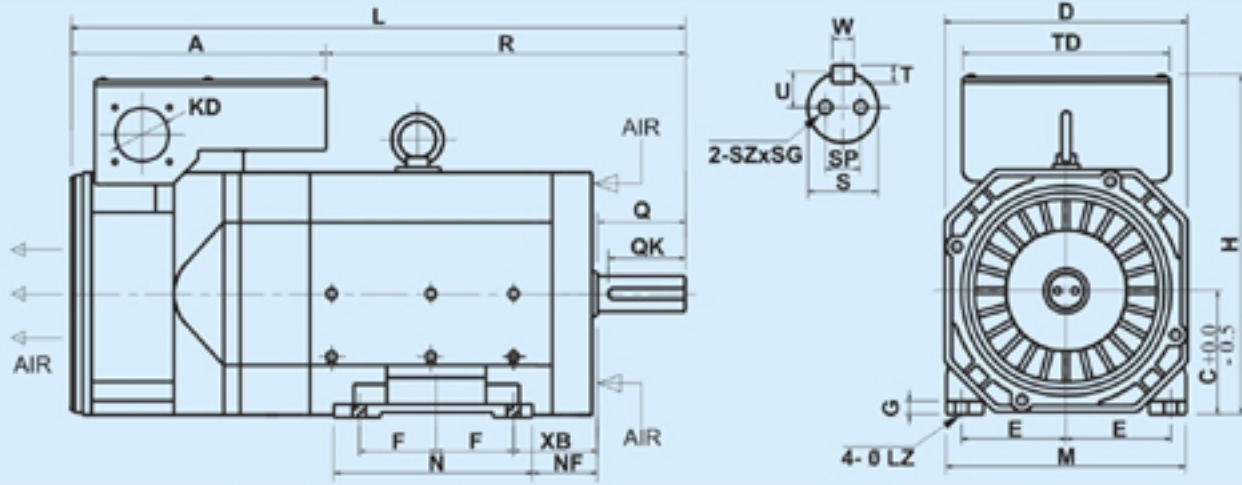
5.5 / 7.5 KW



7.5 / 11 KW



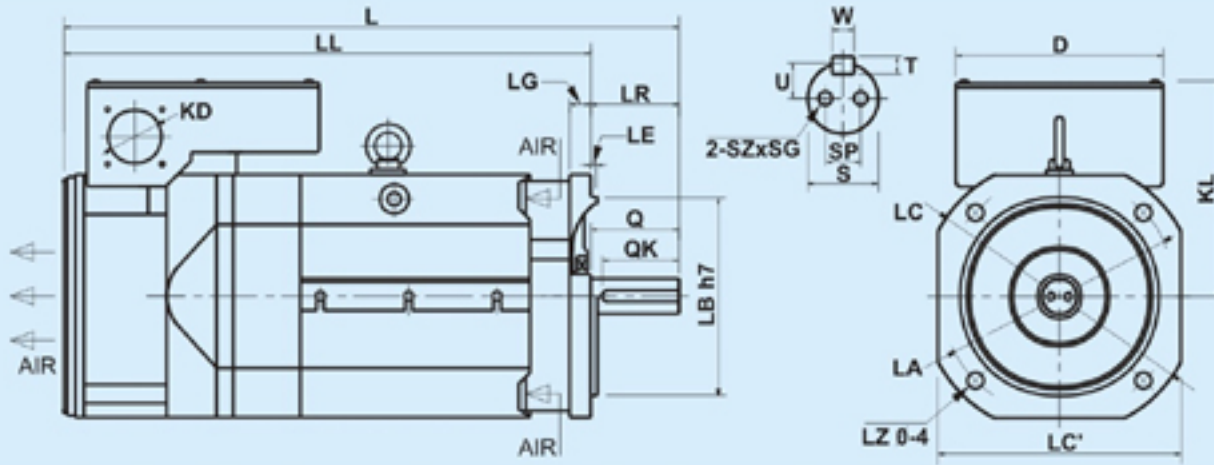
Foot-Mounted Dimension



*Rated Power (KW)	Model	A	C	D	E	F	G	H	KD	L	M	N	NF	R	XB	LZ	Q	QK	S	T	U	W	SP	SZ	SG	Weight (Kg)		
5.5 / 7.5 / 7000 RPM	YSPM 7.5V5-A	337	112	225	95	70	12	305	50	557	225	180	56	220	70	14.5	80	70	32	8	5	10	16	M6	12	77		
5.5 / 7.5 / 8000 RPM	YSPM 7.5V5B-A																											
5.5 / 7.5 / 10000 RPM	YSPM 7.5V5H-A																											
5.5 / 7.5 / 7000 RPM	YSPM 7.5M5-A																											
5.5 / 7.5 / 8000 RPM	YSPM 7.5M5B-A																											
5.5 / 7.5 / 10000 RPM	YSPM 7.5M5H-A	358	112	225	95	89	12	305	50	627	225	212	56	269	70	14.5	110	90	48	9	5.5	14	31.5	M8	16	84		
7.5 / 11 / 7000 RPM	YSPM 11V5-A																											
7.5 / 11 / 8000 RPM	YSPM 11V5B-A																											
7.5 / 11 / 10000 RPM	YSPM 11V5H-A																											
7.5 / 11 / 7000 RPM	YSPM 11M5-A																											
7.5 / 11 / 8000 RPM	YSPM 11M5B-A																											
7.5 / 11 / 10000 RPM	YSPM 11M5H-A																											

* Cont./50%ED/Speed

Flange-Mounted Dimension



*Rated Power (KW)	Model	D	L	LL	LR	KD	KL	LA	LB	LC	LC'	LE	LG	LZ	Q	QK	S	T	U	W	SP	SZ	SG	Weight (Kg)		
1.5 / 2.2 / 7000 RPM	YSPM 2.2V5-G	150	458	408	50	32	194	185	150	220	185	5	14	11	50	-	22	6	3.5	6	13	M5	10	34		
1.5 / 2.2 / 8000 RPM	YSPM 2.2V5B-G																									
1.5 / 2.2 / 10000 RPM	YSPM 2.2V5H-G																									
1.5 / 2.2 / 7000 RPM	YSPM 2.2M5-G																									
1.5 / 2.2 / 8000 RPM	YSPM 2.2M5B-G																									
1.5 / 2.2 / 10000 RPM	YSPM 2.2M5H-G	150	498	438	50	32	194	185	150	220	185	5	14	11	60	-	28	7	4	8	16	M6	12	43		
2.2 / 3.7 / 7000 RPM	YSPM 3.7V5-G																									
2.2 / 3.7 / 8000 RPM	YSPM 3.7V5B-G																									
2.2 / 3.7 / 10000 RPM	YSPM 3.7V5H-G																									
2.2 / 3.7 / 7000 RPM	YSPM 3.7M5-G																									
2.2 / 3.7 / 8000 RPM	YSPM 3.7M5B-G																									
2.2 / 3.7 / 10000 RPM	YSPM 3.7M5H-G	188	557	477	80	50	194	215	180	250	225	5	19	14.5	80	70	32	8	5	10	16	M6	12	77		
5.5 / 7.5 / 7000 RPM	YSPM 7.5V5-G																									
5.5 / 7.5 / 8000 RPM	YSPM 7.5V5B-G																									
5.5 / 7.5 / 10000 RPM	YSPM 7.5V5H-G																									
5.5 / 7.5 / 7000 RPM	YSPM 7.5M5-G																									
5.5 / 7.5 / 8000 RPM	YSPM 7.5M5B-G																									
5.5 / 7.5 / 10000 RPM	YSPM 7.5M5H-G	188	627	517	110	50	194	215	180	250	225	5	19	14.5	110	90	48	9	5.5	14	31.5	M8	16	84		
7.5 / 11 / 7000 RPM	YSPM 11V5-G																									
7.5 / 11 / 8000 RPM	YSPM 11V5B-G																									
7.5 / 11 / 10000 RPM	YSPM 11V5H-G																									
7.5 / 11 / 7000 RPM	YSPM 11M5-G																									
7.5 / 11 / 8000 RPM	YSPM 11M5B-G																									
7.5 / 11 / 10000 RPM	YSPM 11M5H-G																									

* Cont./50% ED /Speed